



E SPOT III™

SKU# EES070

The new E Spot III™ features a new 90W Cool White Solid State LED engine, a 19° beam, 8 dichroic colors, 7 rotating-interchangeable glass gobos, 3-facet and linear rotating prisms, frost filter, motorized iris and focus, variable dimming curves, high speed mechanical shutter and strobe, hibernation mode, 3 and 5pin DMX in/out connections, RDM (Remote Device Management), 180° reversible full color LCD menu display with 6 button touch control panel, battery backup for display power, flicker free operation for TV and FILM, and a multi-voltage universal auto switching power supply (100-240v).



FEATURES

90W Cool White Solid State LED Spot Luminaire

19° Beam, 8 Dichroic Colors

7 Rotating-Interchangeable Glass Gobos

3-Facet and Linear Rotating Prisms and Frost Filter

High Speed Mechanical Shutter and Strobe

Motorized Iris and Focus and Variable Dimming Curves

Low Heat, Quiet Operation, Hibernation Mode

Flicker Free Operation For Broadcast TV and FILM



Specifications are subject to change without notice ©Elation Professional 09/14/15

Elation Professional USA | 6122 S. Eastern Ave. | Los Angeles, CA. 90040
323-582-3322 | 323-832-9142 fax | www.elationlighting.com | info@elationlighting.com

Elation Professional B.V. | Junostraat 2 | 6468 EW Kerkrade, The Netherlands
+31 45 546 85 66 | +31 45 546 85 96 fax | www.elationlighting.eu | info@elationlighting.eu

PRODUCT SPECIFICATIONS

SOURCE

90W Solid State Cool White LED Engine
20,000 Hour Average LED Life*

*LED Life may vary depending on several factors including but not limited to: Environmental Conditions, Power/Voltage, Usage Patterns (On-Off Cycling), Control and Dimming.

PHOTOMETRIC DATA

7,250 LUX 674 FC @8.2' (2.5m) (19° Full ON)

EFFECTS

3-Facet and Linear Rotating Prisms and Prism Macros
Frost Filter Hybrid Wash Effect
Motorized Iris and Focus
High Speed Mechanical Shutter and Strobe
Variable Dimming Curves

COLOR

8 Dichroic Colors

GOBOS

7 Interchangeable-Rotating / Indexing Glass Gobos

CONTROL / CONNECTIONS

(3) DMX Channel Modes (14 / 16 / 20)
RDM (Remote Device Management)
6 Button Touch Control Panel
180° Reversible Full Color LCD Menu Display
8 / 16 Bit Resolution Adjustable Movement
3pin & 5pin DMX In/Out
powerCON In

SIZE / WEIGHT

Length: 11.8" (300mm)
Width: 9.6" (245mm)
Vertical Height: 17.2" (436.9mm)
Weight: 23.0 lbs. (10.4 kg)

ELECTRICAL / THERMAL

AC 100-240V - 50/60Hz
180W Max Power Consumption
-13°F to 113°F (-25°C to 45°C)

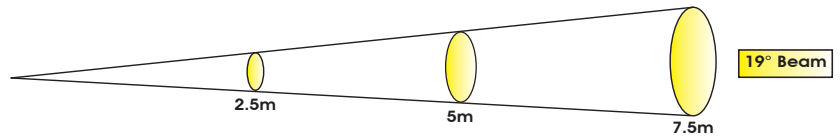
APPROVALS / RATINGS

IP20

INSTALLATION

Rigging: Clamps (Not Included)
Working Position: Flat Surface / Inverted (180°)

PHOTOMETRIC DATA



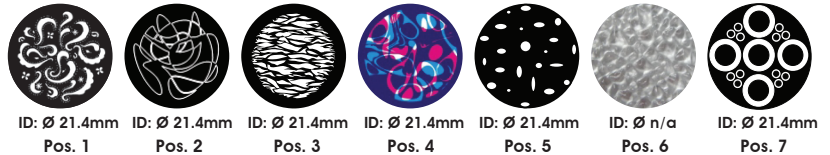
Distance	2.5m	8.2 ft	5m	16.4 ft	7.5m	24.6 ft
Diameter	0.85	2.8	2.26	7.4	2.59	8.5
Photometrics	lux	fc	lux	fc	lux	fc
FULL ON	7,250	674	1,960	182	780	72

COLORS AND GOBOS

COLOR WHEEL



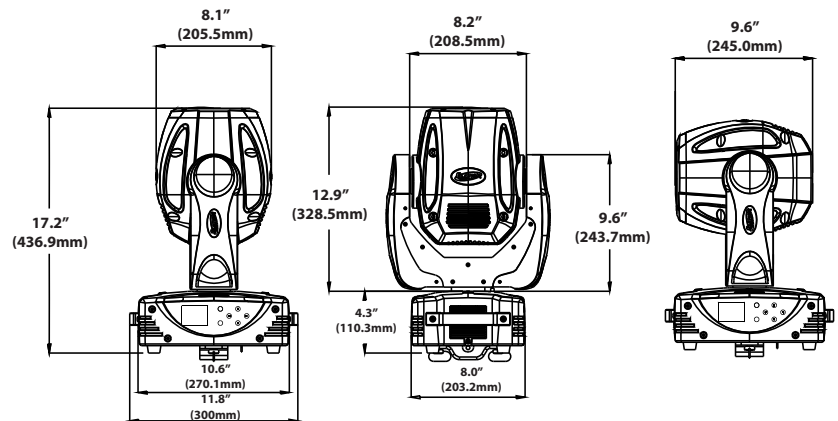
INTERCHANGEABLE-ROTATING GOBO WHEEL 1 - OD: Ø26.8mm**



****IMPORTANT NOTICE REGARDING GOBO DIMENSIONS AND CUSTOM GOBOS**

OD = Outside Diameter | ID = Image Diameter
Due to varying manufacturing processes, it is highly recommended to provide a gobo and holder sample from the fixture to 3rd party custom gobo vendors for accurate sizing.

DIMENSIONAL DIAGRAMS



OPTIONAL ACCESSORIES

ORDER CODE	ITEM
TRIGGER CLAMP	Heavy Duty Wrap Around Hook Style Clamp
EWDMSYSTEM	Wireless DMX System (1 Transmitter, 1 Receiver)
AC3PDMX5PRO	5 ft. (1.5m) 3pin PRO DMX Cable
AC5PDMX5PRO	5 ft. (1.5m) 5pin PRO DMX Cable
	Additional cable lengths available



Specifications are subject to change without notice ©Elation Professional 09/14/15

Elation Professional USA | 6122 S. Eastern Ave. | Los Angeles, CA. 90040
323-582-3322 | 323-832-9142 fax | www.elationlighting.com | info@elationlighting.com

Elation Professional B.V. | Junostraat 2 | 6468 EW Kerkrade, The Netherlands
+31 45 546 85 66 | +31 45 546 85 96 fax | www.elationlighting.eu | info@elationlighting.eu